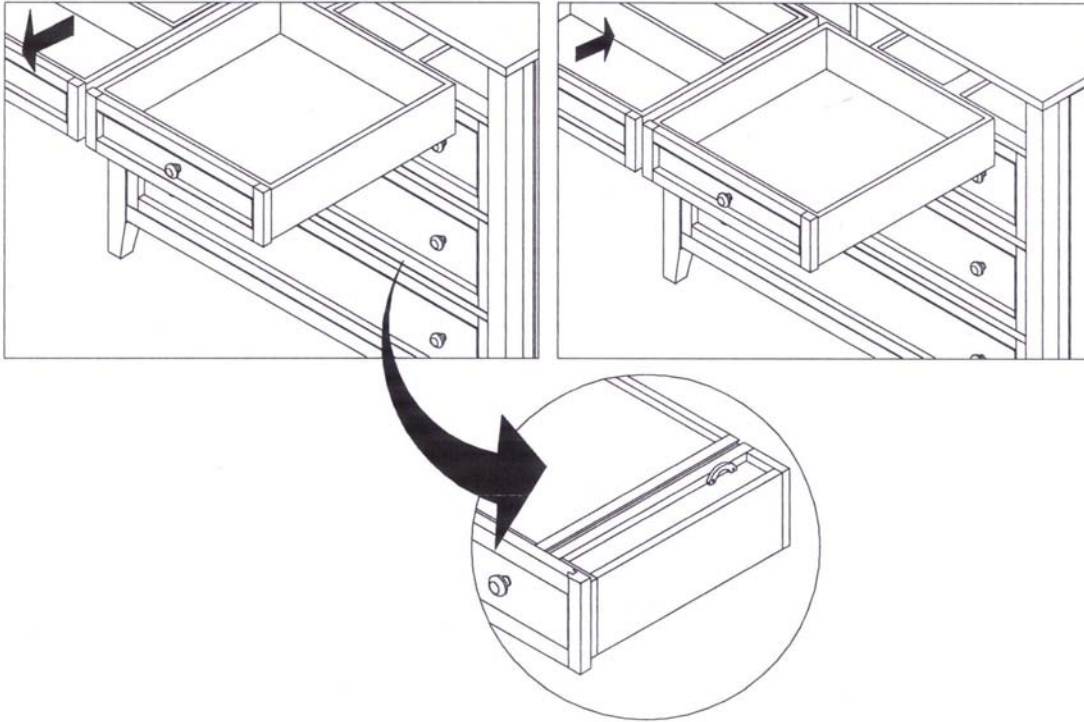


P O T T E R Y B A R N

Hudson Dresser Drawer Removal Instructions

Drawer removal instructions:

1. Grasp drawer and pull partially open.
2. Locate plastic drawer stop attached to the wooden drawer runner below the drawer box. Pull out. Remove drawer.
3. Re-engage drawer stop to original position before replacing drawer.



Care Instructions:

- For daily cleaning, dust with a dry, soft cloth.
- Avoid the use of chemical and abrasive cleaners.

thank you for your purchase

stores | catalog | www.potterybarn.com