

P O T T E R Y B A R N

Adeline Sconce

Assembly and Installation Instructions

CAUTION:

- **BEFORE INSTALLING FIXTURE, MAKE SURE THE POWER TO THE CIRCUIT IS TURNED OFF AT THE MAIN FUSE BOX / CIRCUIT BREAKER UTILITY BOX.**

Important Safety Instructions:

- These instructions are provided for your safety. It is very important that they are read carefully and completely before beginning the assembly and installation of this lighting fixture.
- We strongly recommend that a professional electrician install all direct wire fixtures.
- **THIS PRODUCT MUST BE INSTALLED IN ACCORDANCE WITH THE APPLICABLE INSTALLATION CODES BY A PERSON FAMILIAR WITH THE CONSTRUCTION AND OPERATION OF THE PRODUCT AND THE HAZARDS INVOLVED.**
- The lighting fixture is meant for indoor use. It must be connected only to 3-wire, single-phase electrical supply systems (provided with Ground wire or equivalent protection system).
- For your safety, it is strongly recommended that two people install the lighting fixture.
- This fixture has been rated for up to one (1) **40-watt maximum TYPE B standard (candelabra) incandescent light bulb** (not included) or one (1) **9-watt compact fluorescent light bulb** (not included). To avoid the risk of fire, do not exceed the recommended wattage.
- The lighting fixture is meant for indoor use, **DRY LOCATIONS ONLY.**
- **Save these instructions.**

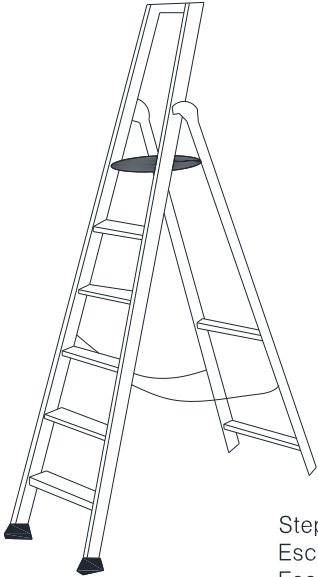
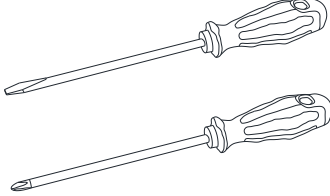
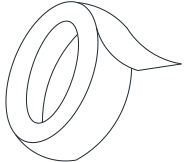
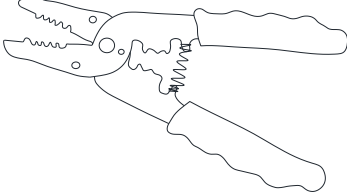
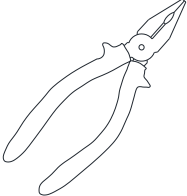
WARNING:

- **To reduce the risk of fire, electrical shock or personal injury, always turn off light fixture and allow it to cool prior to replacing light bulb.**
- **Do not touch bulb when fixture is turned on. Do not look directly at lit bulb.**
- **Keep flammable materials away from lit bulb.**
- **This lighting fixture contains lead, a chemical known to the State of California to cause cancer, birth defects and other reproductive harm. Wash hands after installing, handling, cleaning or otherwise touching this light fixture.**

Pre-assembly:

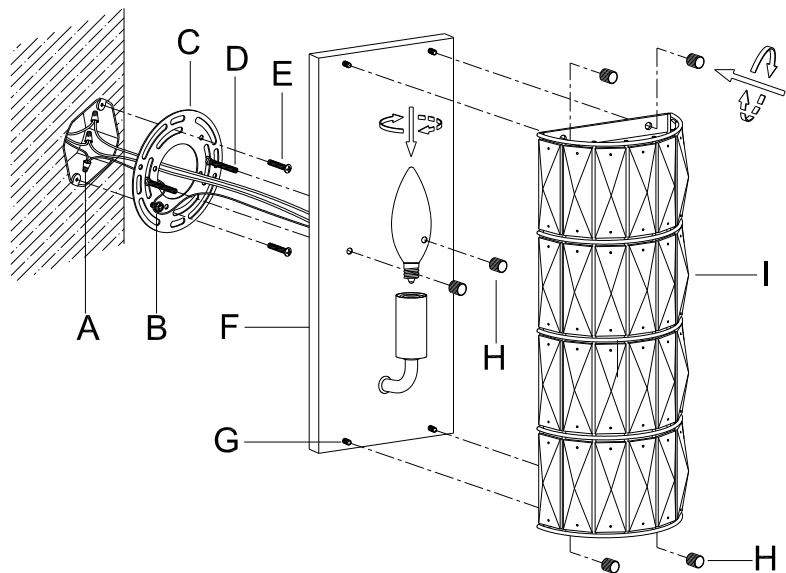
- Remove all parts and hardware from box along with any plastic protective packaging.
- Do not discard any contents until after assembly is complete to avoid accidentally discarding small parts or hardware.
- For your safety and convenience, assembly by two people is recommended.

Tools Required: (not included):

 <p>Step Ladder Escabeau Escalera</p>	 <p>Phillips Head, Flat Blade Screwdrivers Tournevis à tête Phillips et à tête plate Destornilladores Cabeza Phillips y Destornilladores Cabeza Plana</p>	 <p>Electrical tape Ruban isolant Cinta Electrica.</p>
	 <p>Wire Cutter/Stripper Pince coupe-fil/ à dénudé Cortador de Cable</p>	 <p>Plier Pince Alicates</p>



Parts Included:

- (B) Green Ground Screw (1)
- (C) Mounting Plate (1)
- (D) Threaded Rods (2)
- (F) Canopy (1)
- (G) Canopy Threaded Rods (4)
- (H) Knurled Nuts (6)
- (I) Lamp Shade (1)



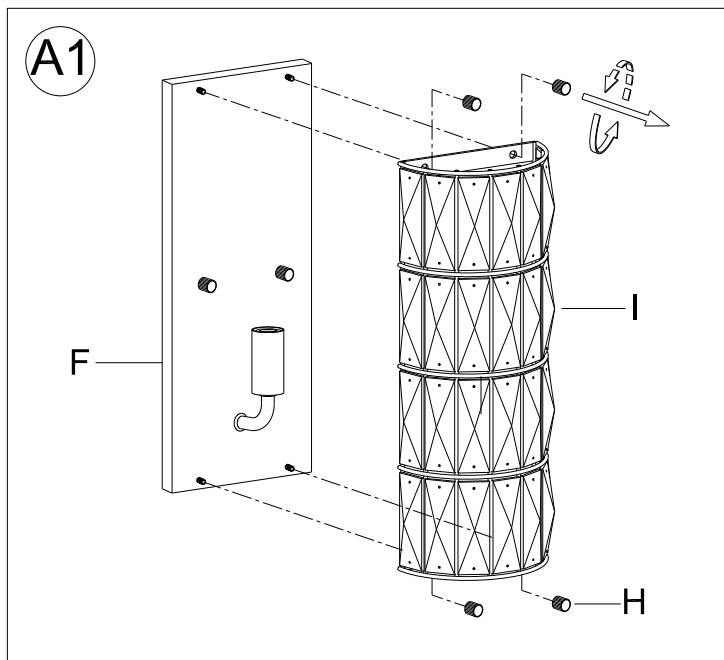
Hardware Enclosed:

- (A) Plastic Wire Nut Connectors (3)
- (E) Mounting Screws (3) (includes (1) extra)

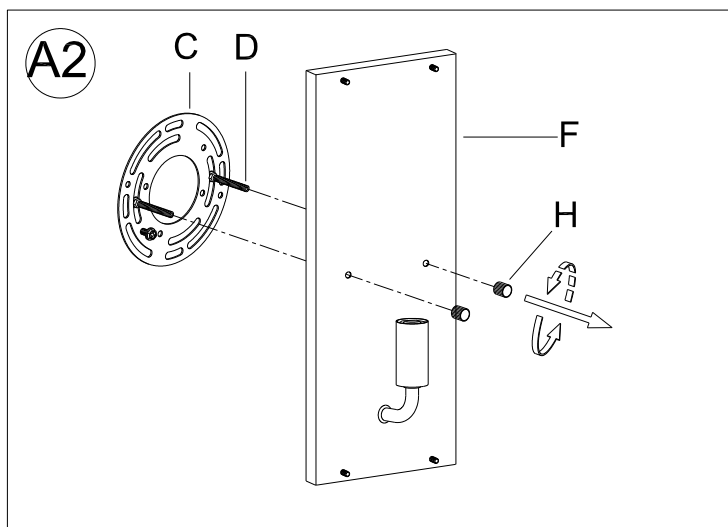
A		3x
E		3x

Assembly Instructions:

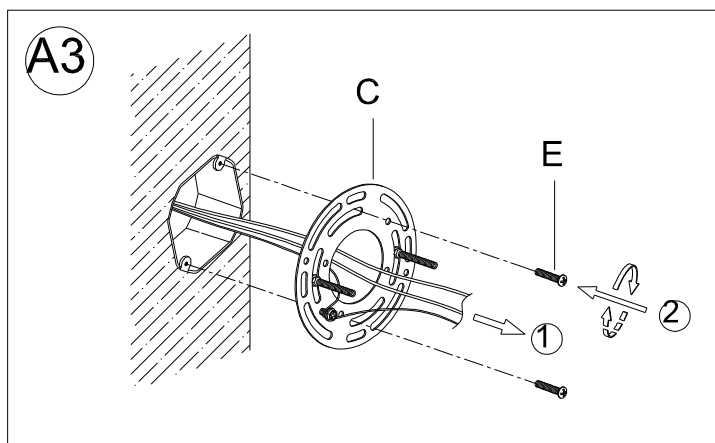
- **SHUT OFF THE MAIN ELECTRICAL SUPPLY FROM THE MAIN FUSE BOX/CIRCUIT BREAKER!**
- Carefully unpack all fixture parts and hardware and lay them on a clear workspace.



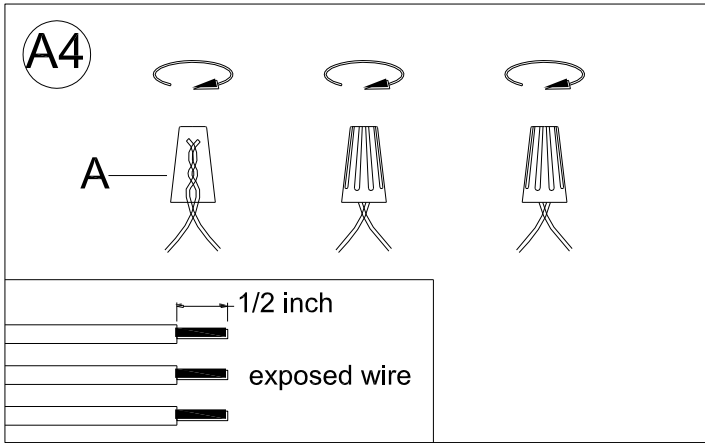
Separate the Lamp Shade (I) from the Canopy (F) by removing 4 Knurled Nuts (H). Do not discard the Knurled Nuts (H) as these will be used later.



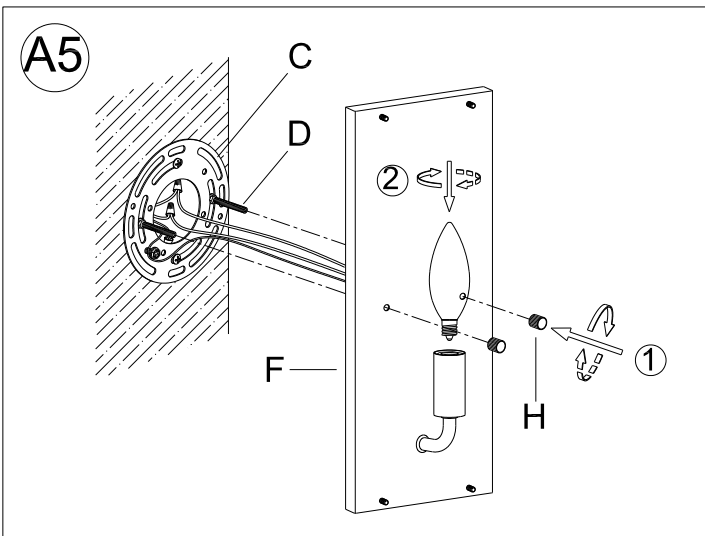
Separate the Mounting Plate (C) from the Canopy (F) by removing 2 Knurled Nuts (H). Do not discard the Knurled Nuts (H) as these will be used later.



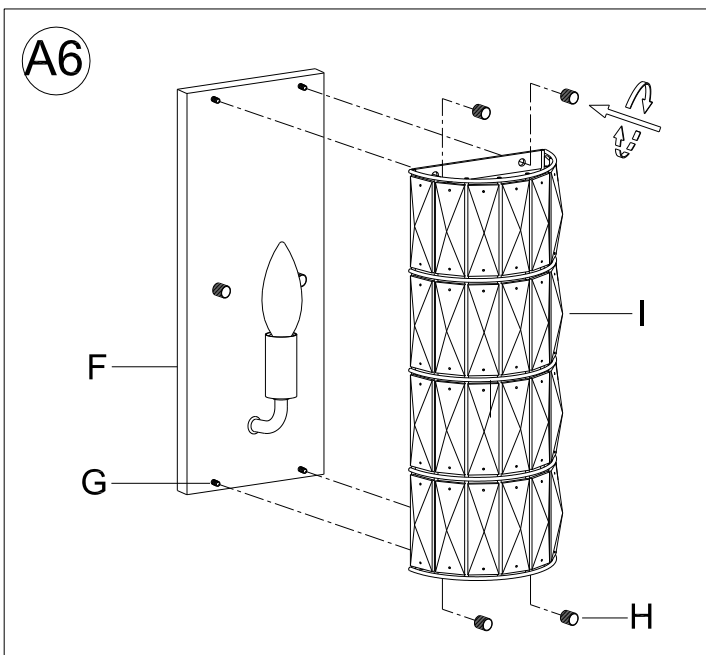
1. Insert the J-box wires through the center opening of Mounting Plate (C)
2. Attach the Mounting Plate (C) onto the J-box and secure in place by turning the 2 Mounting Screws (E) clockwise until tight using a screwdriver.



Please read the section "To Make the Wire Connections" Below.



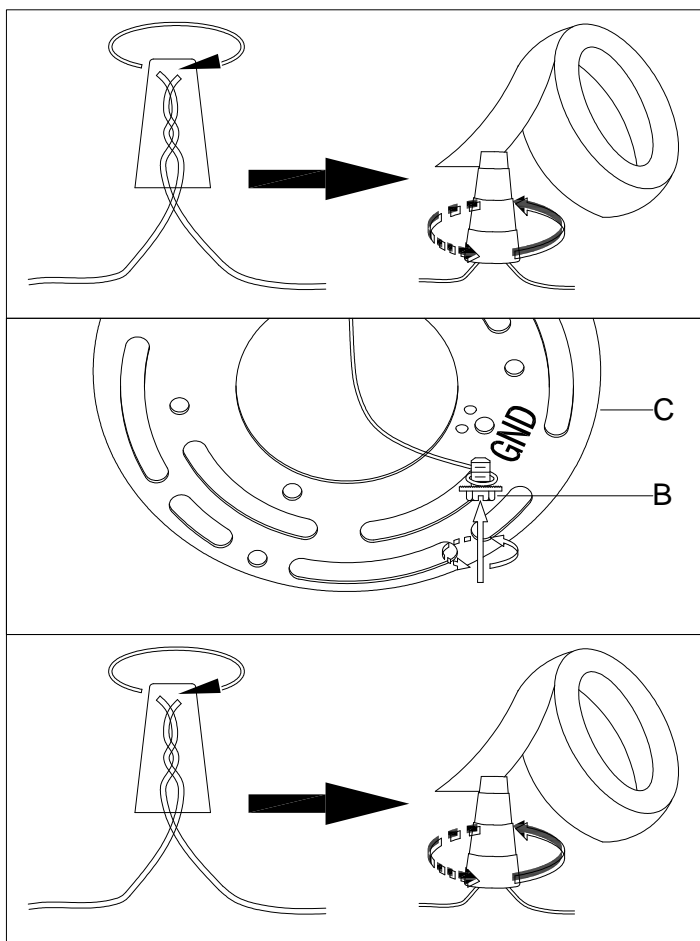
1. Attach the Canopy (F) onto the Mounting Plate (C), making sure 2 Threaded Rods (D) on the Mounting Plate (C) extend through the 2 holes on the Canopy (F). Secure the Canopy (F) by tightening 2 Knurled Nuts (H) clockwise by hand until secure.
2. Insert the specified light bulb into the socket.
DO NOT EXCEED THE SPECIFIED WATTAGE.



Attach the Lamp Shade (I) onto the Canopy (F), making sure 4 Canopy Threaded Rods (G) extend through the 4 holes on the Lamp Shade (I). Secure the Lamp Shade (I) by tightening 4 Knurled Nuts (H) clockwise by hand until secure.

To Make the Wire Connections:

1. Gently pull the wiring from the junction box and allow wires to hang. The HOT or LIVE wire is usually black. The NEUTRAL wire is usually white. Check to see if there is a ground wire that is usually green or green with a yellow stripe or exposed copper metal wire. If needed, use a pair of wire strippers to remove about 1/2 inch of insulation from each wire.
2. Carefully inspect the sconce's fixture wires. The NEUTRAL FIXTURE WIRE is White. The HOT FIXTURE WIRE is Black, and the GROUND WIRE is BARE COPPER WIRE. If you have any doubt and cannot identify the power-supply wires with confidence, then we recommend that you ask an electrician and that you not continue with the installation.
3. With the help of another person to hold the weight of the fixture, attach the fixture wires to the junction box wires as shown in the illustrations.



Connect the GROUND FIXTURE WIRE to the GROUND J-BOX WIRE (usually green insulation of bare wire) using the Plastic Wire Nut Connector (A) and wrap the connection with electrical tape. Be sure that no wire strands are exposed.

If the junction box DOES NOT have a GROUND WIRE, wrap the fixture's bare ground wire around the Green Ground Screw (B) and insert the screw into the Mounting Plate (C), marked as "GND", and tighten screw to secure the wire.

Connect the NEUTRAL FIXTURE WIRE to the NEUTRAL J-BOX WIRE (usually white insulation) first and then connect the HOT FIXTURE WIRE to the HOT J-BOX WIRE (usually black insulation) using the Plastic Wire Nut Connectors (A). Wrap these connections with electrical tape. Be sure that no wire strands are exposed.

NOTE:

**IT IS IMPERATIVE THAT THE JUNCTION BOX IN YOUR HOME BE PROPERLY GROUNDED!
DO NOT REVERSE THE HOT AND NEUTRAL CONNECTIONS OR SAFETY WILL BE COMPROMISED.**

4. Check the wiring connections and if all looks good, gently tuck the wire connections neatly into the junction box.

Care instructions:

- Wipe clean with a soft, dry cloth or static duster.
- Always avoid the use of harsh chemicals or abrasive cleaners as they may cause damage to the fixture's finish.

Thank you for your purchase
Stores / Catalog / www.potterybarn.com
USA 1.888.779.5176