

POTTERY BARN

Parisian Pedestal Single Sink Console Assembly Instructions

Materials included for installation:

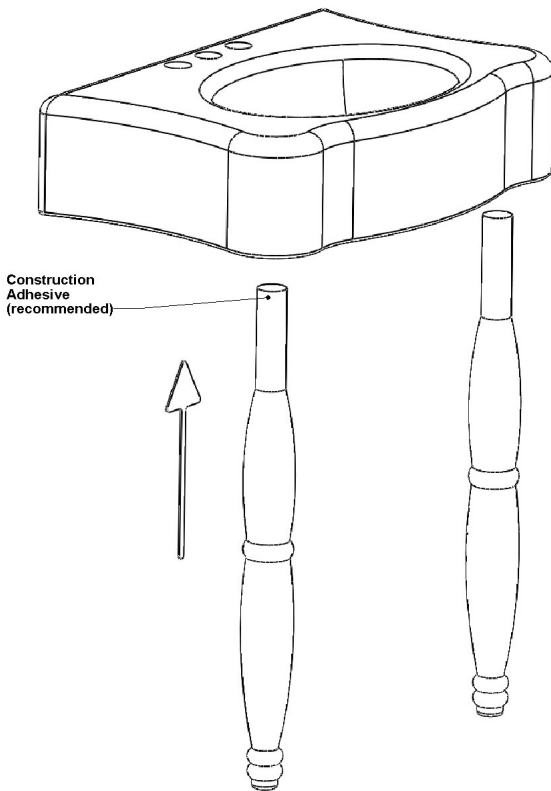
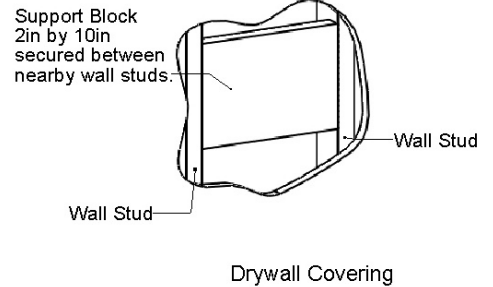
- Sink Basin
- Two Legs
- Two Lag Bolts
- Two Rubber Washers
- Two Metal Washers

Tools and Materials Required for Installation:

- Caulking
- 1/8" drill bit
- Socket wrench
- Pencil
- Level
- Tape measure
- Construction Adhesive (optional)

This pedestal sink is meant to be secured to a wall using two lag bolts (included) and MUST always be supported by the two front legs. It is critical that the wall framing be properly reinforced by securing a support block of wood using a 2in by 10in wood member between two nearby studs. This support block is positioned to receive the lag bolts that support the sink. Of course, all the required plumbing must be properly installed, awaiting connection.

Cut-away showing required wall construction



Assembly Instructions:

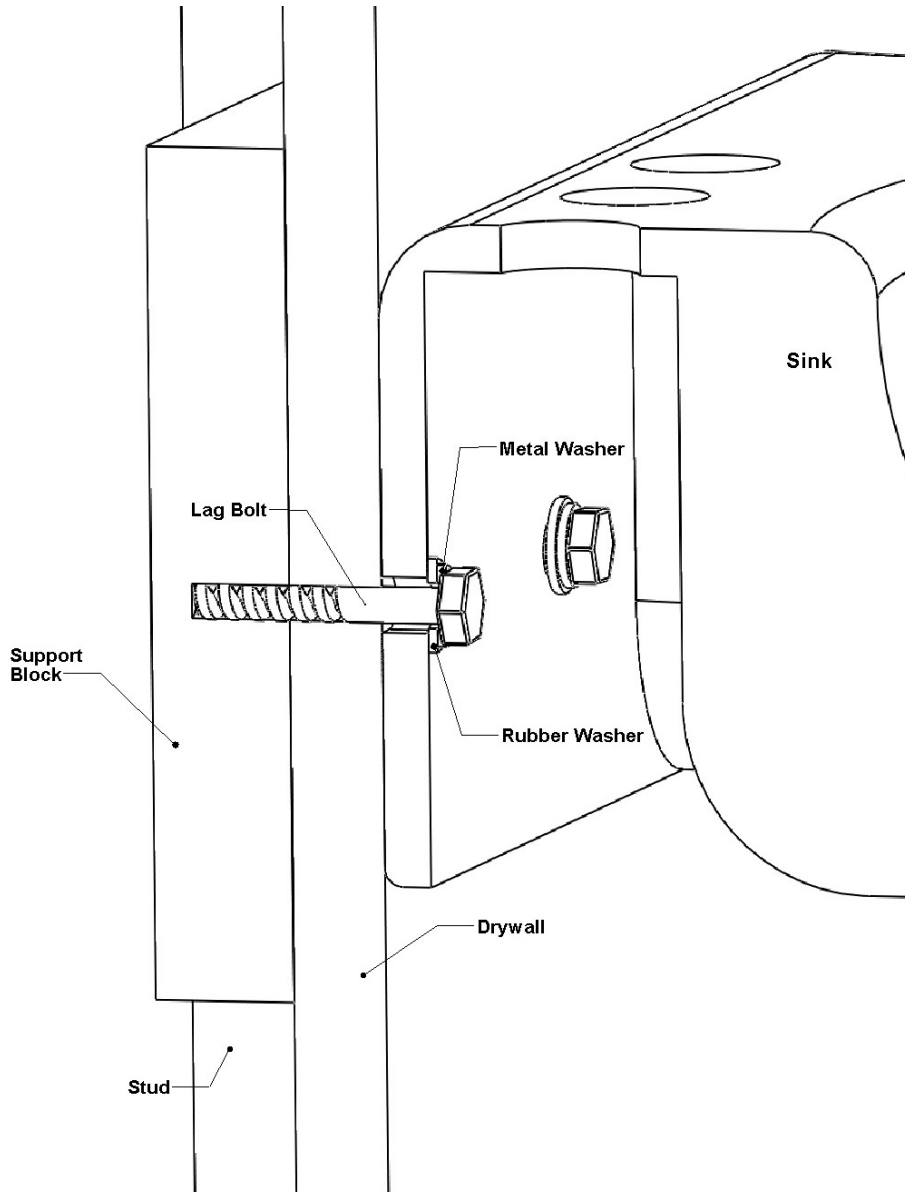
The underside of the sink basin includes two sockets that are sized to receive the top ends of the legs. The top ends of the legs include a threaded section and a large plastic nut. The nut may be rotated to adjust the height of each leg.

Mounting Instructions:

- With the help of two other people hold the sink upright against the wall and insert the leg ends into each socket (do not bond the legs using an adhesive at this point) so that the legs support the sink.
- With the legs in place, lean the back of the basin against the wall and measure up from the floor to the top of the basin. This measurement should be 31 inches. Place a level on the top of the basin to ensure that it is level and adjust the height of the basin by rotating the large nut of each leg as necessary.
- Once all is true and at the correct height, mark the wall through the two holes located in the back of the basin. Carefully set the basin and legs aside.
- Using a power drill and a 1/8 inch drill bit, drill a pilot hole into the wall at each mark.
- With the help of two other people, return the sink basin and the legs to the mounting position against the wall. Recheck the level and height of the basin and align the mounting holes of the back of the basin with the pilot holes in the wall.

P O T T E R Y B A R N

- F) Secure the basin to the wall by inserting a lag bolt first through a metal washer, then a rubber washer and then through each mounting hole of the sink. Tighten each bolt using an appropriate wrench from under the sink. **DO NOT OVER-TIGHTEN THESE BOLTS - DOING SO CAN EASILY CRACK THE BASIN!**



- G) **OPTIONAL:** While holding the basin, carefully remove one leg at a time and apply a construction adhesive to the top end of the leg and reinstall the leg end into the socket located under the sink. Remember that the basin **MUST** be supported by the legs or by some other means during installation.
- H) Apply a bead of caulking between the back of the basin and the wall
- I) Install the faucet and drain assembly per manufacturer's instructions and connect the drain plumbing and water feed lines.

Installation Complete.