

POTTERY BARN

Ashland Magazine Rack Mounting Instructions

In mounting this item, it is important to use the proper hardware for your wall type. If your walls are made from something other than drywall, be sure to consult your local hardware store to determine the type hardware needed. Try to mount the rack to wood studs whenever possible. Use a stud finder to locate studs in desired rack location. If the mounting plate locations align with studs, use provided stud mounting screws. If there is no stud, the toggle anchors/toggle screws are required.

Parts and Hardware Included:

1pc	Mounting template	2pcs	Mounting Plates
4pcs	Toggle	4pcs	Long Screws
1pc	Magazine rack	1pc	Allen wrench
4pcs	Short Screws		

Dry Wall Mounting:

1. Hold the provided paper template level against the wall at a desired location. With a pencil, mark the wall through the screw hole locations printed on the template. These marks will be used to determine the location of your mounting hardware. Remove mounting template. Use a carpenter's level or measure up from the floor at each mark to ensure magazine rack will be level.

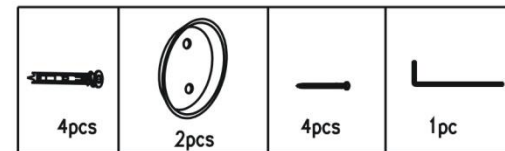
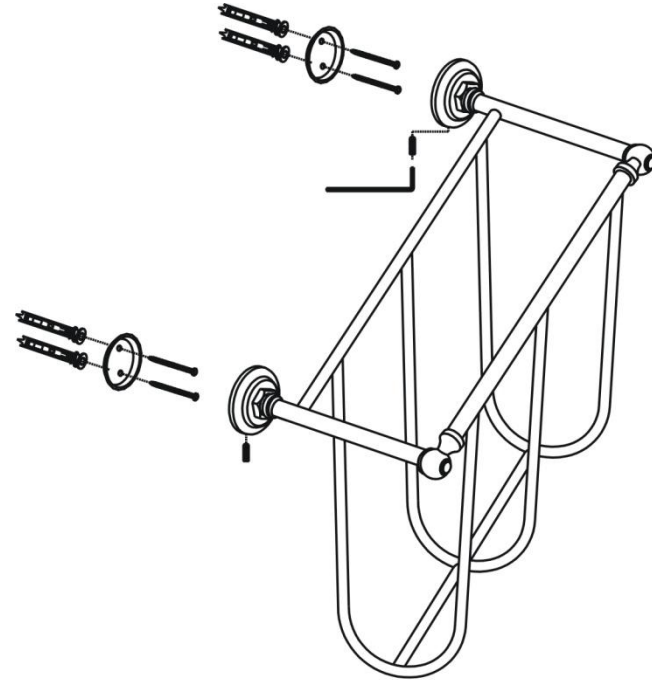
2. Use a Phillips screw driver engage one end of a toggle and place the sharp tip at one of the marks on the wall. Gently push the toggle into the wall as you rotate it clockwise. The toggle will self drive into the wall. Continue rotating the toggle until its flange is even with the wall surface and so that one of the arrows stamped on the flange is pointing up. Repeat this step with the other toggles and marks.

3. Position a mounting plate against two of the installed toggles so the toggles align with the holes of the plate. Insert a long screw through one of the holes of the plate and then into the toggle. Use a screwdriver to tighten the screw. Be patient – the toggle has to deploy and this requires quite a few rotations of the screw. Eventually it will tighten. Repeat this step with the remaining long screw and the base of rack and the other two screws and other base and installed toggles.

4. With the help of a friend, hold the magazine rack against the wall so that the two base fit over the installed mounting plates. The magazine rack should hold in place, but continue to hold it there during this step. Use the

provided Allen wrench to tighten the small Allen hex set-screws located at the bottom of each bracket. When tight, the set screws will prevent the brackets from separating from the mounting plates.

5. The magazine rack is now ready to use.



Care Instructions: 1. Maximum total weight capacity for this product is 46 pounds (20.9 Kg).

2. Wipe with a soft, dry cloth. To protect the finish, do not use strong household cleaners or abrasives.

thank you for your purchase
stores | catalog | www.potterybarn.com