

P O T T E R Y B A R N

hampton double door cabinet with cubbies

Note: For safe mounting, it is essential to use the proper hardware for your wall type. Contact local hardware store for assistance if necessary. For your safety and ease, installation by two people is strongly recommended.

Note: Mount to wood studs whenever possible. Use a stud finder to locate stud in desired mounting position. If mounting locations align with stud, use stud mounting screws. If there is no stud, toggle screws should be used.

Caution: Contains small parts. Keep out of reach of children.

Hardware Included:

- (1) french cleat
- (2) stud mounting screws
- (2) glass shelves
- (1) small anchor, (1) small screw, (1) plastic cap
- (4) shelf brackets
- (18) Plastic Plugs
- (2) toggle anchors and (2) toggle screws (for dry wall only)

Mounting Instructions (Dry Wall Mounting):

- 1) Place the template (provided) at a desired location as a guide. Use a carpenter's level to ensure that cabinet will be level. The two marked holes on the template will be the insertion point of your mounting hardware.
- 2) Place a #2 Phillips screwdriver into recess of the toggle anchor (B). Do not "push" the anchor, it is designed to bore into the wall like a drill bit. Slowly turn the anchor clockwise while applying pressure until the flange just touches the wall. Keep turning clockwise until one arrow on head points to the 12 o'clock position.
- 3) Place the french cleat (I) on the wall, align the end holes with the toggle anchors. Insert toggle screw (A) through the french cleat, screw into toggle anchor turning clockwise. You will feel a slight resistance. Continue turning screw until the screw head touches the anchors flange. Tighten screw until it becomes difficult to turn. At this point the internal pivot will have engaged the backside of the dry wall. (see illustration 1)
- 4) Align the slot at the back of cabinet over the french cleat and slide cabinet down until the slot rests on the french cleat. (see illustration 2)
- 5) With a pencil, mark on the wall through the location of the lower mounting points.
- 6) Take away the cabinet, use the marked pint as the insertion point of the small anchor (D). Place the #2 Phillips screwdriver into recess of the anchor. Slowly turn the anchor clockwise while applying pressure until the flange just touches the wall.
- 7) Again, align the slot on the back of cabinet over the french cleat and slide cabinet down until the slot rests on the french cleat. Insert small screw © through the pre-drilled holes inside the cabinet. Tighten against wall. Cover the screw head with plastic cap (F). (see illustration 3)

Mounting Instructions (Stud Mounting):

- 1) Place the french cleat (I) at the desired location. Use a carpenter's level to ensure that cabinet will be level. Insert mounting screws (G) into the tow end holes of the french cleat, tighten using Phillips screwdriver or drill.
- 2) Follow step 4 to step 7 as above.

Shelf Installations:

Insert shelf brackets (H) into coordinating holes at desired level. Carefully place the glass shelf onto the pads of shelf brackets (see illustration 4)

Plastic Plug Installion:

Insert plastic plugs (E) into the screw holes on the cabinet, push in with index finger. (see illustration 5)

POTTERY BARN

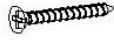
Hardware Included:



Toggle screw
(A) - 2pcs



Toggle Anchor
(B) - 2pcs



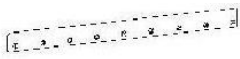
Small screw
(C) - 1pc



Small Anchor
(D) - 1pc



Shelf brackets
(H) - 4 pcs



French cleat
(I) - 1pc



Wood mounting
screw (G) - 2pcs

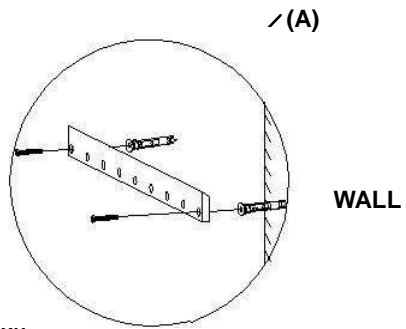


illustration1

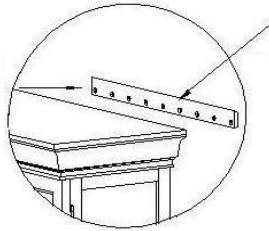
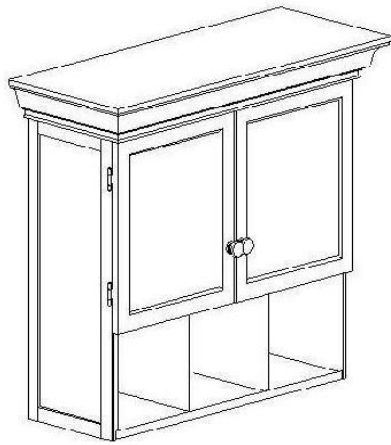


illustration2

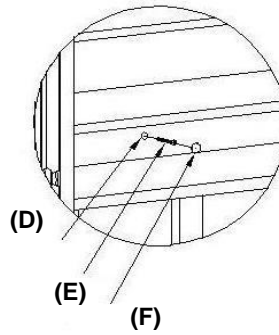


illustration3

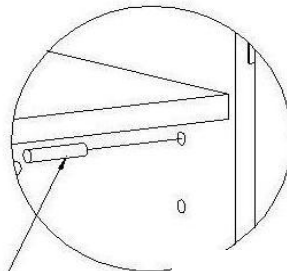
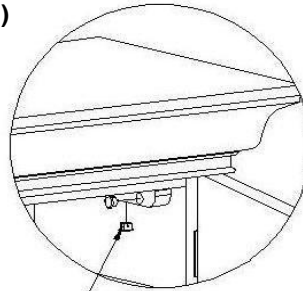


illustration4

(H)



(E)

Illustration5

Care Instructions:

Wipe with a soft, dry cloth. To protect the finish,
Do not apply household cleaners or abrasives.

Thank you for your purchase

4586574(R4)

*** maximum load not to exceed 120lbs ***