

P O T T E R Y B A R N

Over the Door Vanity Station

MOUNTING INSTRUCTIONS

Hardware Included: (4) Anchors (4) Hooks
(4) Screws (8) Small Bolts

Tools Required: Phillips Screwdriver, Level, Level Stud Finder, Tape measure

The hardware included with this item is meant for drywall or stud mounting only. If your wall is made from another material such as concrete or plaster, please consult your local hardware store for assistance in selecting the correct hardware.

This item consists of two products - one shelf organizer & one mirror. Each product can be used in either way of wall mounting by using the two keyholes located on the back of the product, or hanging over a door by using the provided hooks.

Note: the maximum load capacity is 10 pounds per hook on the mirror, and 10 pounds maximum per shelf level for the organizer.

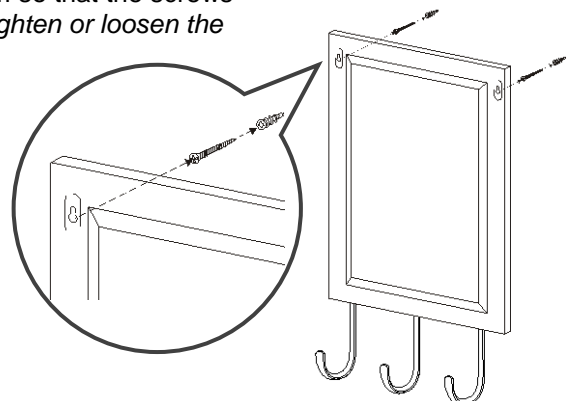
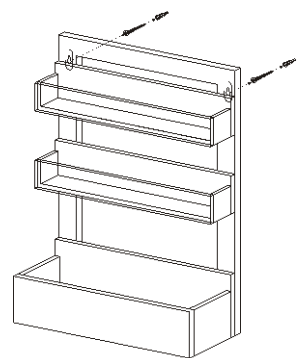
Mounting the Products Directly to a Wall:

Before you get started, use a tape measure to measure out below distances on either of the products:

Distance A: Measure from the top edge of the product to one of the keyholes at the upper center position of the keyhole notch.

Distance B: Measure between the two keyholes (from center to center of each keyhole).

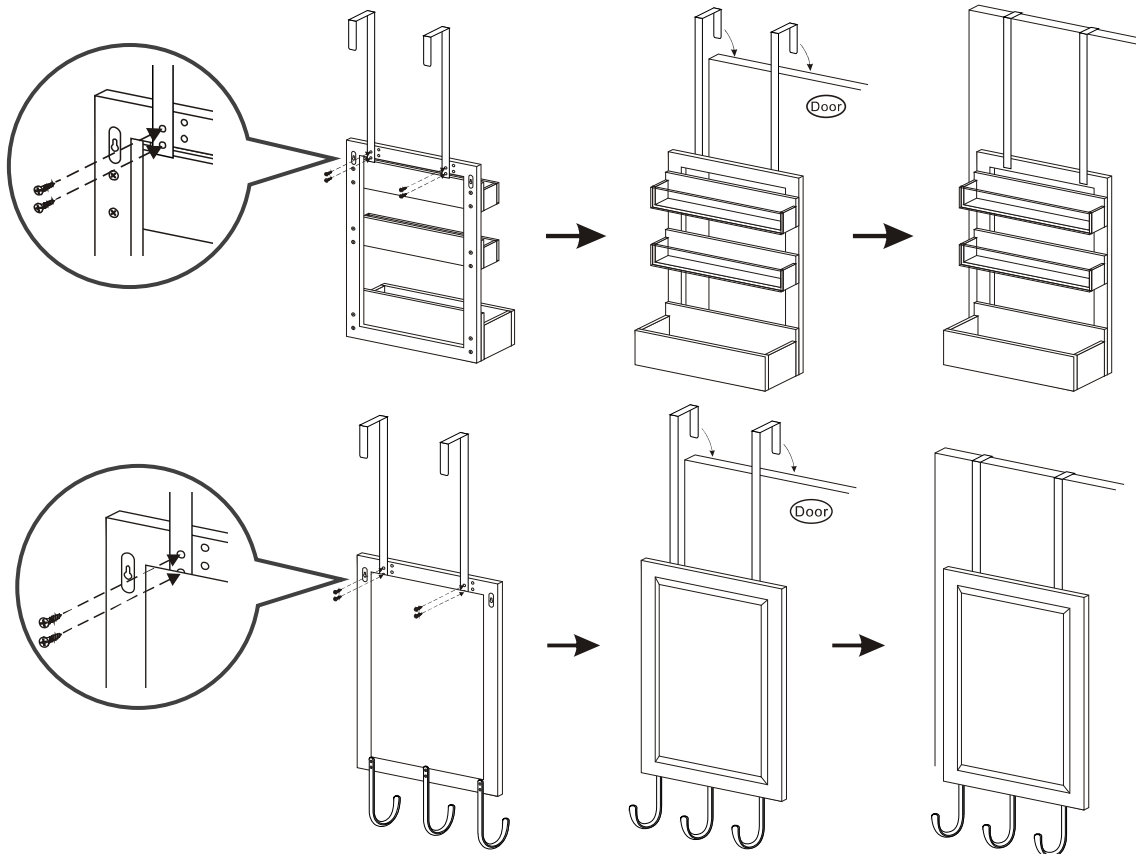
- 1) Hold the mirror or the shelf organizer against wall at a desired location so that the rear side of the product touches the wall directly. Use a level to ensure that the product is level and then use a pencil to draw a slight line on the wall along the top edge of the product. Set the product aside.
- 2) Use a tape measure and a pencil to make a "lower line" below the line of Step (1) that is spaced a distance equal to "Distance A". Use a level to ensure that the new created line is level (adjust if necessary).
- 3) At the lower line of Step (2), using the pencil and the tape measure to make two "insertion marks" centered along this line that are spaced apart a distance equal to "Distance B". These are the insertion points for the mounting hardware.
- 4) The provided anchors cannot penetrate wood. Therefore we have to find out if either insertion mark of Step (3) happens to align with a wall stud (use a stud-finder to determine this). If either does, do not use an anchor at the mark. Instead, use a screwdriver to secure a provided screw directly into the wall at the mark. Rotate the screw clockwise until the screw head resides about 3/8" from the wall.
- 5) For marks that do not align with a stud, install a provided anchor into the drywall first and then the screw. To install the anchor, use the screwdriver to engage the anchor and then position the anchor tip against the wall at the mark. Firmly push the anchor into the wall as you rotate it clockwise. The anchor is designed to drive itself into the wall as it is rotated. Continue rotating the anchor until the wide end of the anchor becomes even with the wall surface. Do not over-tighten.
- 6) Use the screwdriver to secure a screw into each installed anchor. Rotate the screw clockwise until the screw head resides about 3/8" from the wall.
- 7) Mount the mirror or the shelf organizer on the wall by fitting the large opening on each keyhole to the protruding screw heads. Gently push down the item so that the screws engage with the keyholes and lock it in place. *You may need to tighten or loosen the screws a bit to allow the product to fit snugly against the wall.*



Hanging The Products from a Door:

1. Attach two hooks to each product by aligning the hook holes with the two threaded holes on the back of the product and then securing the hooks to the product using provided small bolts and tighten by a screwdriver. Make sure that the hooks are directed towards the rear of the mirror, as shown below.
2. Hang the product onto a door, as shown in the next step of the illustration.
3. Firmly push down the product to ensure it's appropriately secured on the door.

Caution: Do not mount or hang this mirror over a bed.



Care Instructions:

- Wipe with a soft, dry cloth.
- Do not use strong chemical or abrasive cleaners.
- You can use a household glass cleaner to clean the glass, but apply the cleaner to a clean cloth first and then use the cloth to clean the mirror surfaces. Avoid spraying the cleaner directly onto the frame of this item.

Thank you for your purchase!
Stores | catalog | www.potterybarn.com