



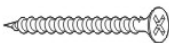
P O T T E R Y B A R N

Console Mirror Assembly Instructions

Important Safety Instructions:

- Please read all instructions before beginning assembly. For safe mounting, it is essential to use the proper hardware for your wall type. Contact your local hardware store for assistance if necessary. For your safety and ease, professional installation is recommended. Otherwise, assembly by two people is recommended.
- Keep all parts and plastic bags out of the reach of children.
- Mount to wood studs whenever possible. Use a stud finder to locate stud in desired mounting positions. If mounting locations align, use stud-mounting screws. If there is no stud, toggle anchors should be used.

Parts Included:

2 Toggles	2 Screws	2 Stud Mounting Screws
		

Tools needed:

Phillips Head Screwdriver
Pencil
Level

Mounting Instructions:

1. Hold the mirror at the desired location and at the preferred orientation. With a pencil, mark on the wall the top outside corners. These marks will be used to determine the location of the mounting hardware.
2. Measure down from the top of the mirror to the top of both mounting rings. Record these measurements on the wall, using the marks in step one as a guide.
3. Measure in from the side of the mirror to the top of both mounting rings. Again, record these measurements on the wall. Align the two measurements until they intersect. This is the insertion point of your mounting hardware (See Diagram 1). Use a carpenter's level to ensure the mirror will be level.

Dry Wall Mounting:

1. Place a Phillips Head screwdriver into recess of the toggle. Do not "push" the anchor; it is designed to bore into the wall like a drill bit. Slowly turn the toggle clockwise while applying pressure until the flange just touches the wall. Keep turning clockwise until one arrow on head is pointing to the 12 o'clock position.
2. Insert screw into toggle turning clockwise. You will feel a slight resistance. Continue turning screw until the screw head touches the anchors flange. Tighten screw until it becomes difficult to turn. At this point the internal pivot will have engaged the backside of the dry wall. Leave approximately $\frac{1}{2}$ " between the back of the screw head and the toggle flange (See Diagram 2).
3. Mount the mirror by hanging the mounting rings over the screw heads.

Stud Mounting:

1. Insert a stud mounting screw on the marked wall with a drill or screwdriver and tighten clockwise.
2. Mount the mirror by hanging the mounting rings over the screw heads.

Diagram 1

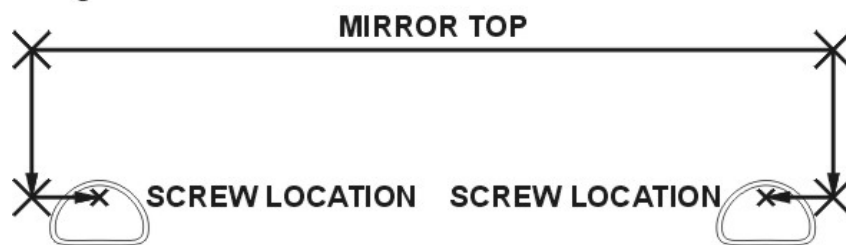
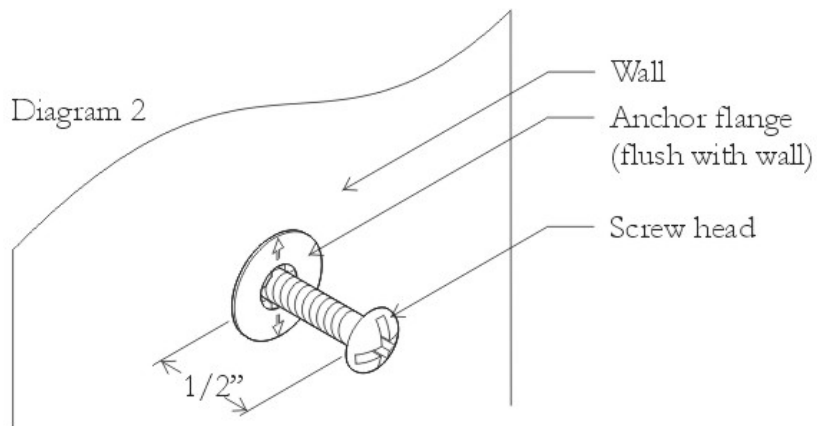


Diagram 2



Care Instructions:

- Wipe cabinet with a soft, dry cloth.
- Use a small amount of glass cleaner and a soft cloth to clean mirror.
- To protect the finish, avoid the use of all chemical and household cleaners and abrasives as they may damage finish.

Thank you for your purchase
stores/catalog/www.potterybarn.com