

# P O T T E R Y B A R N

## Hewitt Towel Ring

*Note:* For safe mounting, it is essential to use the proper hardware for your wall type. The hardware provided with this item is meant for drywall and stud constructions. For other wall types (like plaster, concrete...), please consult your local hardware store for assistance in selecting the appropriate hardware. Mount to wood studs whenever possible. For stud mounting the anchors are not required, use only the screws.

### Parts Included:

- (1) Towel ring
- (1) Mounting plate
- (1) Hex screw (set screw)
- (1) Allen Wrench
- (2) Screws
- (2) Drywall anchors

*Note:* the mounting plate & hex screw are preinstalled on the back of the towel ring. Before mounting, please release the hex screw and remove the mounting plate from the towel ring.

**Tools Needed:** Phillips Screwdriver, Level, Pencil, Stud-finder

### Mounting Instructions:

1. Hold the mounting plate vertically at desired location on wall. With a pencil, mark the wall through the uppermost and lowermost holes in the plate. Set the plate aside. The marks remaining on the wall are the insertion points for your mounting hardware.
2. Use a stud-finder to see if either mark aligns with a wall stud and do the proper installation following below.

#### *Dry Wall Mounting*

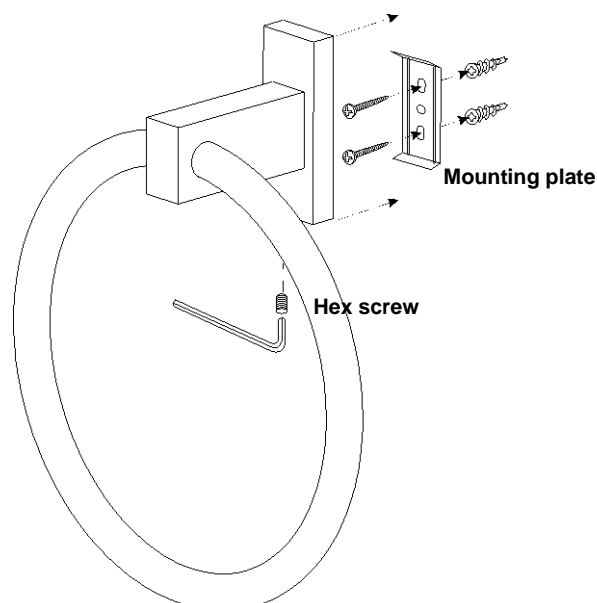
- 1) For marks that do not align with wall stud, first install the anchors at each mark. Use a Phillips screwdriver to slowly turn the anchor while you firmly push it into the wall. Continue rotating until the anchor's flange is flush with the wall.
- 2) Align the mounting plate on the wall over the anchors. Use the screwdriver to insert screws through the plate and into the anchors. Rotate each screw until tight (*do not over tighten*).
- 3) Attach the base of the towel ring onto mounting plate.
- 4) Use the provided Allen wrench to tighten the hex screw located at the bottom of the base, as shown.

#### *Stud Mounting*

- 1) If the marks do align with a wall stud. Do not install the anchors.
- 2) Align the mounting plate on the wall over the pencil marks. Use a screwdriver to insert screws through the plate and directly into the wall. Rotate each screw until tight.
- 3) Attach the base of the towel ring onto mounting plate and tighten the hex screws with the Allen wrench provided.

### Care Instructions:

Wipe with a soft, dry cloth. To protect the finish, do not use household cleaners or abrasives.



**Thank you for your purchase**  
store | catalog | [www.potterybarn.com](http://www.potterybarn.com)