

P O T T E R Y B A R N

Hudson Daybed and Hudson Daybed with Trundle

Pre-Assembly:

- ❖ Please read all instructions carefully before assembly.
- ❖ For your safety and ease, assembly by two people is recommended.
- ❖ Carefully lay out and identify all parts and hardware prior to assembly.
- ❖ Save all packing materials until assembly is complete to avoid accidentally discarding small parts or hardware.

Part Included:

BOX 1

- (1) Headboard (A)

BOX 2

- (1) Footboard (B)

BOX 3

- (2) Side rails (C1, C2)
- (1) Front Rail (C3 for daybed with trundle only)
- (1) Slat Roll (D)

For Daybed with Trundle: Metal Trundle will be in separate box

Note: Although the front panel (C3) will be packaged with both the daybed and the daybed with trundle, it is needed only for assembly to the trundle. If purchasing the Daybed only, this will be an extra part which will not be needed.

Hardware Enclosed:

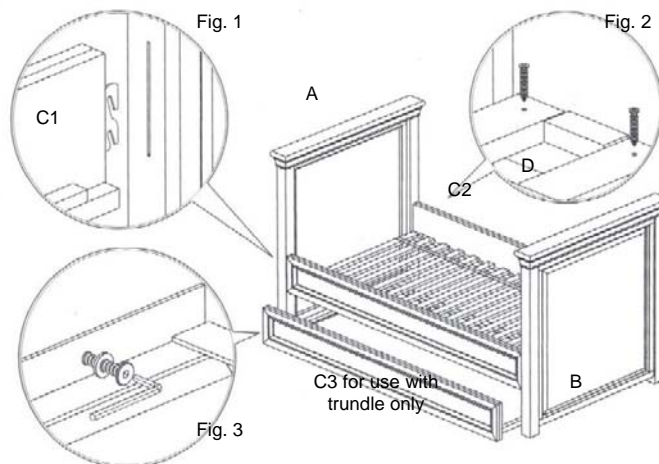
- (34) Wood screws $\frac{1}{4}$ x 1" (includes 2 additional screws)
- (4) Flat Head Screw M.6 x $\frac{7}{8}$ " (for daybed with trundle)
- (4) Flat Washer (for daybed with trundle)
- (1) Allen Wrench

Assembly instructions:

1. Attach side rails (C1, C2) to headboard (A) and footboard (B), placing hook into slot. Fig. 1
2. Lay the slat roll (D) in place so the pre-drilled holes on the end of each slat lines up with the pre-drilled holes on the side rail lip.
3. Secure the slats by inserting the wood screws. Tighten screws with a Phillips screwdriver. (Fig. 2) Assembly is complete.

For Daybed with Trundle:

4. Install Metal Trundle on front rail (C3) using the flat head screws and flat washers. Tighten with Allen wrench. (Fig. 3)
5. Assembly is complete.



Care Instructions:

- For daily cleaning, dust with a dry, soft cloth. Avoid the use of chemical and abrasive cleaners. Wipe up spills immediately.

thank you for your purchase