



P O T T E R Y B A R N

Mercer Single Sconce

Important Safety Instructions:

These instructions are provided for your safety. It is very important that they are read completely before beginning the installation of your fixture. **We strongly recommend that a professional electrician install all direct wired fixtures.**

THIS FIXTURE IS RATED FOR (1) 60-WATT MAX. TYPE CA CANDELABRA LIGHT BULB (NOT INCLUDED). TO AVOID THE RISK OF FIRE, DO NOT EXCEED RECOMMENDED WATTAGE.

Parts Included:

- (1) Lighting fixture including:
- Light base (A)
- (1) Socket cover (B)
- (1) Glass shade (C)
- (1) Threaded collar (D)
- (1) Mounting plate (E)

To Install You Will Need:

- Phillips screwdriver/Flat screwdriver
- (3) Plastic wire connectors (Enclosed)
- Electrical tape

Hardware included:

- (2) Mounting plate screws (F)
- (3) Base screws (G)

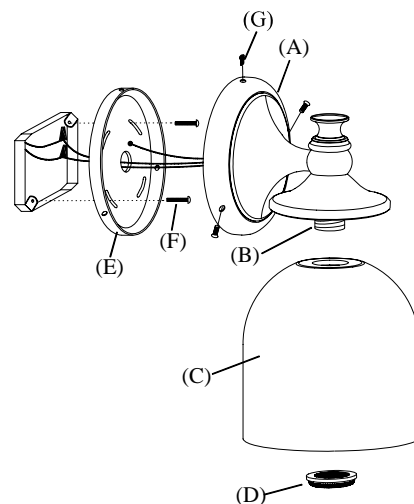
PLEASE NOTE: THIS FIXTURE CAN BE MOUNTED WITH THE SHADE FACING UP OR DOWN.

Installation Instructions:

1. SHUT OFF THE MAIN ELECTRICAL SUPPLY FROM THE MAIN FUSE BOX/CIRCUIT BREAKER.
2. Remove the mounting plate (E) from the base of the lighting fixture (A).
3. Gently pull the wiring from the wall outlet box and allow the wires to hang. Thread the wires through the center hole in the mounting plate.
4. Affix the mounting plate to the wall outlet box with the mounting plate screws provided (F).
5. Attach the **ground** wire (green) to either the ground screw found on the mounting plate or to the ground wire found in the wall outlet box (usually green or copper in color). If attaching to ground wire in outlet box, fasten together with a plastic wire connector and tightly wrap the wire connector with electrical tape to seal the connector. **IT IS IMPERATIVE THAT THE OUTLET BOX IN YOUR HOME BE PROPERLY GROUNDED.**
6. Connect the **neutral** (white) fixture wire to the neutral (usually white) outlet wire. Fasten together with a plastic wire connector and tightly wrap the wire connector with electrical tape.
7. Repeat this procedure with the **hot** (black) wires. Always make sure that no wire strands are left outside the connectors. **DO NOT REVERSE THE HOT AND NEUTRAL CONNECTIONS OR SAFETY WILL BE COMPROMISED.**
8. Attach the lighting fixture base (A) to the affixed mounting plate by aligning the holes and inserting the base screws (G). Tighten with a screwdriver.
9. Unscrew the threaded collar (D) from the socket cover (B).
10. Attach the glass shade (C) over socket cover until thread of socket cover protrudes from the opening at bottom of the shade.
11. Secure shade by re-attaching threaded collar to the thread of socket cover. Tighten by turning clockwise.
12. Insert bulb (not included).
13. Restore power and test fixture.
14. Installation is complete.

Care Instructions:

Lamp base: Wipe with dry cloth only. Avoid the use of all detergents and chemicals.
Glass lampshade: Remove and hand wash thoroughly. Do not use cleaners or abrasives.



thank you for your purchase

SKU# 4835021 / 4699583